

Pneumatic setting tool for blind rivet nuts

RIVKLE®

NEW



P2005

- ✓ Ergonomic
- ✓ Robust
- ✓ Fast
- ✓ Practical

BOLLHOFF



P2005 - For RIVKLE® blind rivet nut setting

Overview

When using hand-held installation tools it is important to have a flexible, robust and user-friendly solution. Following close collaboration with customers the **P2005** has been developed to fulfil this need, having integrated the latest proven technologies to improve **the ergonomics of setting RIVKLE® M3 to M12.**



Fast

One pulse to screw the RIVKLE® on the mandrel

Practical

Same tooling as OPEN

Carrier to suspend the tool

Reverse trigger

Single trigger cycle

Air filter

Robust

Back cover with 2 fixing points

Ergonomic

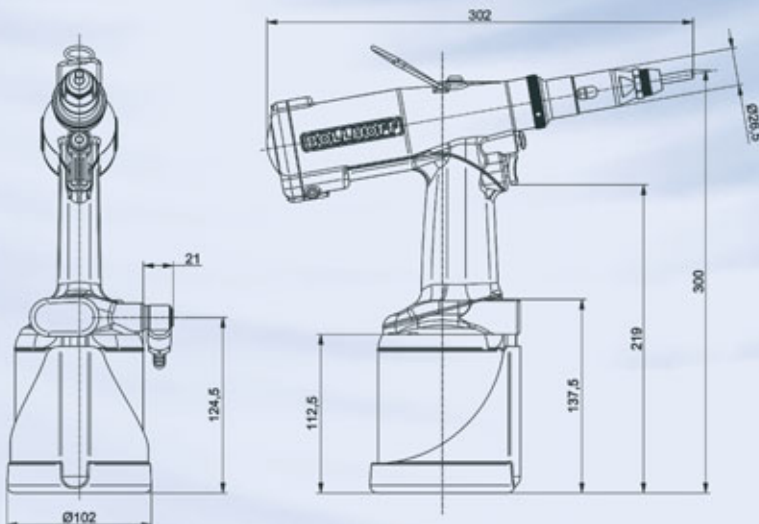
Glove improves feel for operator

Ribbed plastic cover

Side air input
Possible rotation of 360°

Aluminium body

Efficient tank protection



Dimensional plan

Technical data

Setting capacity:	RIVKLE® M3 to M12
Maximum stroke:	7 mm
Maximum setting force:	21kN
Pressure input:	5,5 bar min to 7 max
Weight:	2,600 kg
Air consumption:	8 L max per cycle
Noise level:	< 72 dB (A)
Cycle time:	approx 10 RIVKLE® / minute
Dimensions:	height: 295.8mm, width: 102.4mm
CE Marked	
Guarantee:	1 year

P2005 - For RIVKLE® blind rivet nut setting

Packaging

The **P2005** is shipped in a protected case including:

- Instruction manual
- Adjustment tools
- An oil can

Code: 23615501000/00

User serviceable items



Tooling for setting



		RIVKLE®	
		Mandrel	Anvil
MXX*	236 113 XX* 020	236 113 XX* 030	
M12	236 153 12 020	236 153 12 030	

*XX : Ø from 03 to 10 - Example: 06 for M6



		RIVKLE® Studs	
		Mandrel	Anvil
	376 113 XX** 020	376 113 XX** 030	

**Only from M5 to M8.

Options



Air baffle
Code: 23615500301/00



Additional plastic protector
Code: 23615500302/00

Range of installation equipment for blind rivet nuts

There exists a relationship between the levels of quality, speed and cost to achieve an optimised installation process and for this reason BOLLHOFF produces a wide range of assembly solutions to suit your application. Please contact us for advice on the ideal choice of equipment.



Range of manual installation tools



P803 for setting by pressure: M3-M8



EPK Compact integrating quality control



Automatic and semi-automatic setting

Böllhoff International

North Europe

Wilhelm Böllhoff GmbH & Co. KG, Bielefeld
Böllhoff GmbH, Bielefeld with branches
in Bielefeld, Braunschweig, Dormagen,
Leipzig, Munich, Nuremberg and Stuttgart,
Böllhoff Verbindungstechnik GmbH, Bielefeld
Böllhoff Systemtechnik GmbH & Co. KG, Bielefeld,
Böllhoff Schraubtechnik GmbH, Bielefeld
Böllhoff Produktion GmbH & Co. KG, Bielefeld
and Sonnewalde, Germany
Bollhoff Fastenings Ltd., Birmingham, Great Britain

South-West Europe

Bollhoff Oталu s. a., La Ravoire,
Bollhoff Usinec s. a., Paris, France
Bollhoff s.r.l., Mailand, Italy
Bollhoff s.a., Madrid, Spain

South-East Europe

Böllhoff GmbH, Linz, Austria
Böllhoff Kft, Székesfehérvár, Hungary
Böllhoff s.r.o., Prag, Czech-Republic
Böllhoff s.r.l., Bors, Romania
Bimex-Böllhoff, Krzemienica,
Bollhoff Technika, Łączenia Sp. z o.o., Poland
Böllhoff OOO, Velikij Novgorod, Russia
Böllhoff Civata Ticaret Limited Sirketi, Istanbul, Turkey

North America

Bollhoff RIVNUT® Inc., Kendallville, Indiana, USA
Bollhoff Inc., Ontario, Canada
Bollhoff S.A. de C.V., Mexico City, Mexico

South America

Bollhoff Adm. e Part. Ltda., Jundiaí,
Bollhoff Service Center Ltda., Jundiaí ,
Porto Alegre and Curitiba, Brazil
Bollhoff S.A., Buenos Aires, Argentina

Africa

Bollhoff (Pty) Ltd., Centurion, South Africa

Asia

Bollhoff Fastening Ltd., Wuxi, China

In addition to Böllhoff companies in these 19 countries, the company has a network of agents and dealers serving an international customer base in major industrial markets world-wide.

BÖLLHOFF

Böllhoff Verbindungstechnik GmbH · Archimedesstraße 1-4 · 33649 Bielefeld · Germany
Phone +49 (0)5 21 / 44 82-05 (3 26) · Fax - 6 58 · Internet www.boellhoff.com · E-Mail ihoernlein@boellhoff.com

