



RIVKLE® P2007

Pneumatic power tool for controlled setting of blind rivet nuts and studs

- Light
- Quick
- Flexible

BOLLHOFF

P2007 – For RIVKLE® blind rivet nut setting

Your benefits

The P2007 achieves total consistency of setting as a result of pressure (force) control.

Your benefits:

- One setting load for variable material thicknesses
- Long tool life
- Setting cycles can be repeated
- Very light (2kg)

Range of use: M3 bis M10

Product Code: 23615601000

Fast

A simple pulse to mount RIVKLE®

Same tooling as BÖLLHOFF hand tools P2001 and P2005

Single trigger cycle

Ergonomic

Hook to suspend the tool

Glove improves feel for operator

Air deflector and noise filter integrated

Side air input with 360° rotation. Mounting either side (left or right)

Robust

Aluminium body

Ribbed plastic cover

Efficient tank protection

Practical

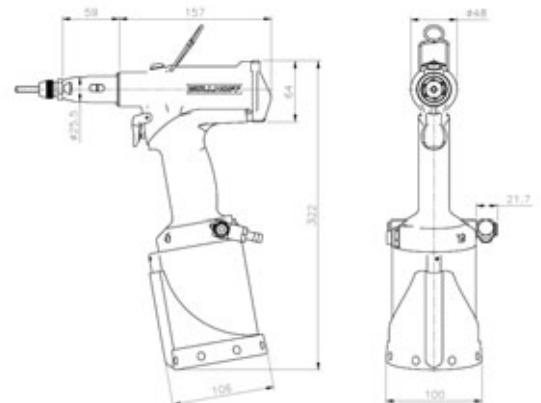
Reverse button

Color coding to reduce set-up time



Technical data

Setting capacity:	RIVKLE® M 3 to M 10
Maximum stroke:	7 mm
Maximum setting force:	20 kN
Operating air pressure:	5.5 bar min to 7 bar max
Weight:	2 kg
Air consumption:	8 l max per cycle
Noise level:	< 70 dB (A)
Cycle time:	10 to 15 RIVKLE® per minute
Dimensions:	Height: 322 mm, width: 216 mm
CE label:	Available
Guarantee:	1 year (except wearing parts)



Dimensional plan

P2007 – For RIVKLE® blind rivet nut setting

Packaging



Each P2007 is delivered in a protective case, complete with:

- Instruction manual
- Adjustment tools
- An oil can

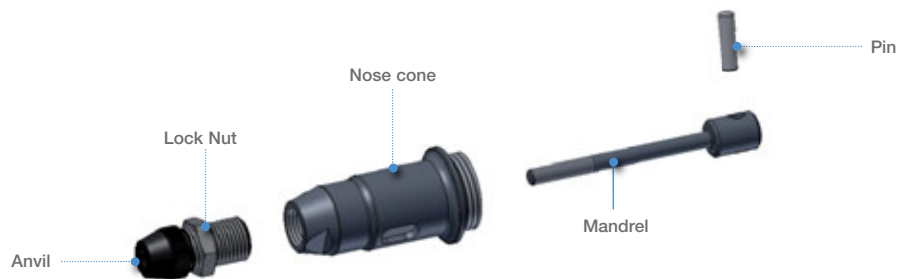


Tooling for setting

Setting each diameter of blind rivet nut and stud requires a different anvil and mandrel to form the complete tooling assembly. Please refer to the table below and choose the appropriate mandrel and anvil for your application.

	RIVKLE® Nuts			RIVKLE® Studs	
	MXX*	Mandrel		Anvil	Mandrel
	236 113 XX* 020	236 113 XX* 030		376 113 XX** 020	376 113 XX** 030

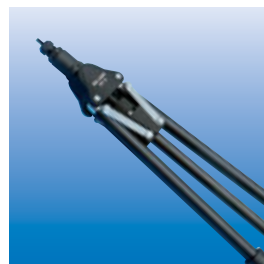
*XX: Range from M3 to M10 - Example: 06 for M6
 **XX: Range from M5 to M8 - Example: 05 for M5



Special parts for replacement on request. Feel free to contact us – we will be glad to give you information.

Range of installation equipment for RIVKLE® blind rivet nuts

There exists a relationship between the levels of quality, speed and cost to achieve an optimised installation process and for this reason BÖLLHOFF produces a wide range of assembly solutions to suit your application. Please contact us for advice on the ideal choice of equipment.



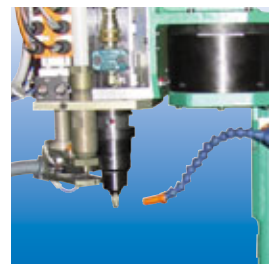
Range of manual installation tools



P2005 for setting by stroke M3–M12



EPK Compact integrating quality control and counting function



Automatic and semiautomatic setting

Böllhoff International with companies in:

Argentina
Austria
Brazil
Canada
China
Czech Republic
France
Germany
Hungary
India
Italy
Japan
Mexico
Poland
Romania
Russia
Slovakia
South Africa
Spain
Turkey
United Kingdom
USA

Apart from these 22 countries, Böllhoff supports its international customers in other important industrial markets in close partnership with agents and dealers.

Subject to technical change.
Reprinting, even in extract form, only permitted with express consent.
Observe protective note according to DIN 34.

Böllhoff Verbindungstechnik GmbH
Archimedesstraße 1–4 · 33649 Bielefeld · Germany
Phone +49 (0)521 / 4482-05 (326) · Fax +49 (0)521 / 4482 - 658
www.boellhoff.com · fasteningtechnology@boellhoff.com

